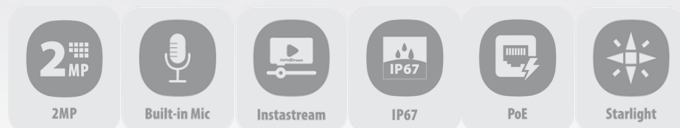


# CP-UNC-TB21L3C-MDS-V2

2MP Full HD WDR IR Network Bullet Camera - 30Mtr.

- 1/2.8" 2MP PS CMOS Image sensor (0.9071 centimeters)
- Max. 2MP (1920 × 1080)@25/30 fps
- Smart Instastream,H.265,Smart H.264 ,H.264H,H.264,H.264B,MJPEG
- WDR(120dB), Day/Night(ICR), 3D-NR, ROI, AWB, AGC, BLC, HLC
- 2.8mm fixed lens (3.6mm optional)
- IR Range of 30 Mtrs, IP67, SD Card, PoE
- Support Starlight Function
- Mobile Software: iCMOB, gCMOB
- CMS Software: KVMS Pro



## System Overview

This Series has gathered a lot of fame over the years for its eminent capabilities on top of its artful appearance which lets it mix in any background. This series entails a wide range of easily-mountable solutions that have been crafted with the IR Megapixel technology that delivers resolutions varying from 2MP to 8MP depending on your choice of products. This Series comes with a varifocal lens/motorized/ fixed lens and is absolutely pocket-friendly, which makes it the best choice for a number of small and mid-size places

## Functions

### Live Viewing

Unlike some, this technology enables you to record the picture feed but view it live as well at your convenience. On top of that, the advantages of high-resolution video recording are numerous.



## CP-UNC-TB21L3C-MDS-V2

2MP Full HD WDR IR Network Bullet Camera - 30Mtr.

### Functions

#### Wide Dynamic Range (WDR)

When a scene is partly dark and partly bright, that is the dynamic range that distorts images due to this difference in the lighting. WDR technology provides you balanced lighting for a clear and vivid image throughout the day. WDR technology can be installed at entry/exit points of any building structure, jewelry shops, outdoor location among so many other places.

#### Starlight Technology

This camera is widely used to provide sharper and clearer picture quality with the help of its exceptional starlight sensitivity as the camera improves night vision in low light conditions. This technology is useful in conditions with extremely low light as the starlight technology turns almost completely dark images into those of clear colors.

#### True Day/Night (ICR)

When the scene is too dark, the image is captured by illuminating an infrared light through the camera onto the scene that greatly helps with making the scene visible for the lens. It delivers color images during the day and automatically switches to the monochrome feature as the scene darkens.

#### Power over Ethernet

This product uses the latest PoE technology to troubleshoot the occurrence of any issues in the system making it easier to use. With the help of this technology, your camera now only consumes energy directly from the power supply and doesn't require any mid-way switches.

### About CP PLUS

The brand that is on its way to lead the world when it comes to the security and surveillance industry, CP PLUS, keeps bombarding the market with the most reliable range of products that have been designed carefully and methodically to automate the whole surveillance and security process, no matter how big your premises are.

It was the initiative to help the public in the area where they are the most vulnerable and to empower the sense of safety in our hearts that had conceptualized CP PLUS. And embarking on its mission to make the world a safer and more secure place has taken the brand's journey to unprecedented levels even when compared to international competitors.



# CP-UNC-TB21L3C-MDS-V2

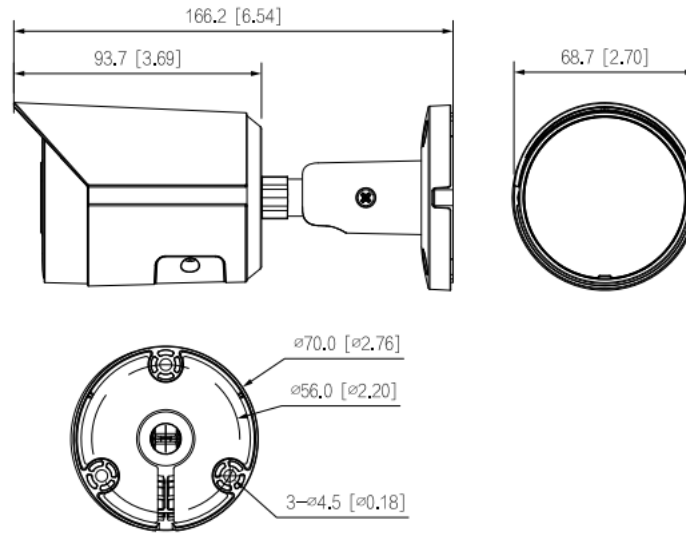
## 2MP Full HD WDR IR Network Bullet Camera - 30Mtr.

Feature	Specification
Image Sensor	1/2.8" 2MP PS CMOS Image Sensor (0.9071 centimeters)
Minimum Illumination	0.002 lux@F1.6 (Color, 30 IRE) 0.0002 lux@F1.6 (B/W, 30 IRE) 0 lux (Illuminator on)
Effective Pixels	1920(H) x 1080(V)
Shutter Speed	Auto/Manual 1/3 s–1/100000 s
ROM	128 MB
RAM	128 MB
White Balance	Auto/natural/street lamp/outdoor/manual/regional custom
Lens	2.8mm fixed lens (3.6mm optional)
DORI Distance	2.8 mm: Detect: 43.9 Mtr., Observe: 17.5 Mtr., Recognize: 8.8 Mtr., Identify: 4.4 Mtr. 3.6 mm : Detect: 58.9 Mtr., Observe: 23.6 Mtr., Recognize: 11.8 Mtr., Identify: 59. Mtr.
Lens Type	Fixed-focal
Max. Aperture	F1.6
Close Focus Distance	2.8 mm: 0.7Mtr., 3.6 mm: 1.3Mtr.
Lens Mount	M12
Angle of View	2.8 mm: H: 107°; V: 56°; D: 127° 3.6 mm: H: 88°; V: 44°; D: 105°
Pan,Tilt, Rotation	Pan: 0°–360° Tilt: 0°–90° Rotation: 0°–360°
Gain Control(AGC)	Auto/Manual
S/N Ratio	>56 dB
Back Light Compensation	BLC / HLC / WDR(120dB)
Video Compression	H.265,Smart H.264, H.264H, H.264, H.264B, MJPEG (Only supported by the sub stream)
Encode Strategy	Smart instastream
stream Capability	2 Streams
Frame Rate	Main stream: 1920 × 1080@ (1–25/30 fps) Sub stream: 704 × 576@ (1–25 fps)/704 × 480@ (1–30 fps)

Feature	Specification
Resolution	1080p (1920 × 1080); 1.3M (1280 × 960); 720p (1280 × 720); D1 (704 × 576/704 × 480); VGA (640 × 480); CIF (352 × 288/352 × 240)
Bit Rate	H.264: 32 kbps–6144 kbps H.265: 12 kbps–6144 kbps
Bit Rate Control	CBR/VBR
Noise Reduction	3D-NR
Motion detection	OFF/ON (4 areas, rectangular)
Privacy Mask	4 areas
ROI	Support (4 areas)
Mirror Function	Support
SDK and API	Support
Audio Compression	G.711a; G.711Mu; PCM; G.726
Audio	Built-in Mic
IR Distance	IR Range of 30 Mtr.
IR Number	1 (IR LED)
IR Control	Auto, Manual
Iris Control	Fixed
Protocol	IPv4; IPv6; HTTP; TCP; UDP; ARP; RTP; RTSP; RTCP; RTMP; SMTP; FTP; SFTP; DHCP; DNS; DDNS; NTP; Multicast; ICMP; IGMP, ONVIF (Profile S/Profile T); CGI; Milestone
Ethernet	RJ-45 (10/100Base-T)
Day/Night	Auto (ICR)/Color/B/W
Alarm Event	No SD card; SD card full; SD card error; network disconnect; IP conflict; illegal access; motion detecton; video tampering; tripwire; intrusion; SMD; voltage detecton; security exception
User/Host	6 (Total bandwidth: 36 Mbps)
Cyber Security	Configuration encryption; Trusted execution; Digest; Security logs; WSSE; Account lock-out; syslog; Video encryption; 802.1x; IP/MAC filtering; HTTPS; Trusted upgrade; Trusted boot; Generation and importing of X.509 certification
Smart Phone	iPhone, iPad, Android Phone
Browser	IE Chrome Firefox
Storage	FTP; SFTP; Micro SD card (support max. 256 GB)
IVS	Intrusion, tripwire (the two functions support the classification and accurate detection of vehicle and human)

Feature	Specification
Smart search	Work together with Smart NVR to perform refine intelligent search, event extraction and merging to event videos
Image Rotation	0°/90°/180°/270° (Support 90°/270° with 1080p resolution and lower
Weatherproof Standard	IP67
Operating Temperature	-40°C to +60°C (-40°F to +140°F)
Operating Humidity	≤95%
Storage Temperature	-40 °C to +60 °C (-40 °F to +140 °F)
Power Source	12 VDC/PoE (802.3af)
Power Consumption	Basic: 2.1 W (12 VDC); 2.4 W (PoE); Max. (ICR + H.265 + max. resolution + main stream + IR intensity + WDR + IVS): 4.2 W (12 VDC); 5.1 W (PoE)
Casing	Metal
Dimension	166.2 mm × 70 mm × 70 mm
Weight	0.48 kg

Dimensions (mm/inch)



Accessories : Optional



CP-UA-B2P  
Pole Mount Bracket

**Company Name:**

CP PLUS (Aditya Infotech Ltd.)

F-28 Okhla Industrial Area, Phase 1,

New Delhi 110020, INDIA

**Contact Mail ID :-** [customercare@cpplusworld.com](mailto:customercare@cpplusworld.com)