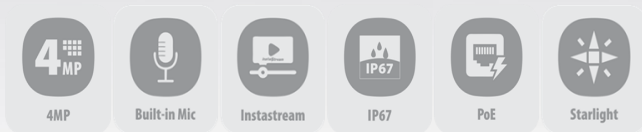


# CP-UNC-TB41L3C-MDS

## 4 MP IR Network Bullet Camera - 30Mtr.

- 1/2.9" 4MP PS CMOS image sensor (0.8758cm)
- max. 4 MP (2688 × 1520)@20 fps, and supports (2560 × 1440)@25/30 fps.
- Smart Instastream, H.264H, H.265, H.264, H.264B, MJPEG
- WDR(120dB), Day/Night(ICR), 3DNR, AWB, AGC, BLC, HLC
- 3.6mm fixed lens (2.8mm optional)
- IR Range of 30 Mtr.
- Mobile Software: iCMOB, gCMOB
- CMS Software: KVMS Pro



### System Overview

This Series has gathered a lot of fame over the years for its eminent capabilities on top of its artful appearance which lets it mix in any background. This series entails a wide range of easily-mountable solutions that have been crafted with the IR Megapixel technology that delivers resolutions varying from 2MP to 8MP depending on your choice of products. CP Plus 4MP Series comes with a varifocal lens/motorized/ fixed lens and is absolutely pocket-friendly, which makes it the best choice for a number of small and mid-size places.

### Functions

#### Live Viewing

Unlike some, this technology enables you to record the picture feed but view it live as well at your convenience. On top of that, the advantages of high-resolution video recording are numerous.



## CP-UNC-TB41L3C-MDS

### 4 MP IR Network Bullet Camera - 30Mtr.

#### Functions

##### Wide Dynamic Range (WDR)

When a scene is partly dark and partly bright, that is the dynamic range that distorts images due to this difference in the lighting. WDR technology provides you balanced lighting for a clear and vivid image throughout the day. WDR technology can be installed at entry/exit points of any building structure, jewelry shops, outdoor location among so many other places.

##### Starlight Technology

This camera is widely used to provide sharper and clearer picture quality with the help of its exceptional starlight sensitivity as the camera improves night vision in low light conditions. This technology is useful in conditions with extremely low light as the starlight technology turns almost completely dark images into those of clear colors.

##### True Day/Night (ICR)

When the scene is too dark, the image is captured by illuminating an infrared light through the camera onto the scene that greatly helps with making the scene visible for the lens. It delivers color images during the day and automatically switches to the monochrome feature as the scene darkens.

##### Power over Ethernet

This product uses the latest PoE technology to troubleshoot the occurrence of any issues in the system making it easier to use. With the help of this technology, your camera now only consumes energy directly from the power supply and doesn't require any mid-way switches.

#### About CP PLUS

The brand that is on its way to lead the world when it comes to the security and surveillance industry, CP PLUS, keeps bombarding the market with the most reliable range of products that have been designed carefully and methodically to automate the whole surveillance and security process, no matter how big your premises are.

It was the initiative to help the public in the area where they are the most vulnerable and to empower the sense of safety in our hearts that had conceptualized CP PLUS. And embarking on its mission to make the world a safer and more secure place has taken the brand's journey to unprecedented levels even when compared to international competitors.



# CP-UNC-TB41L3C-MDS

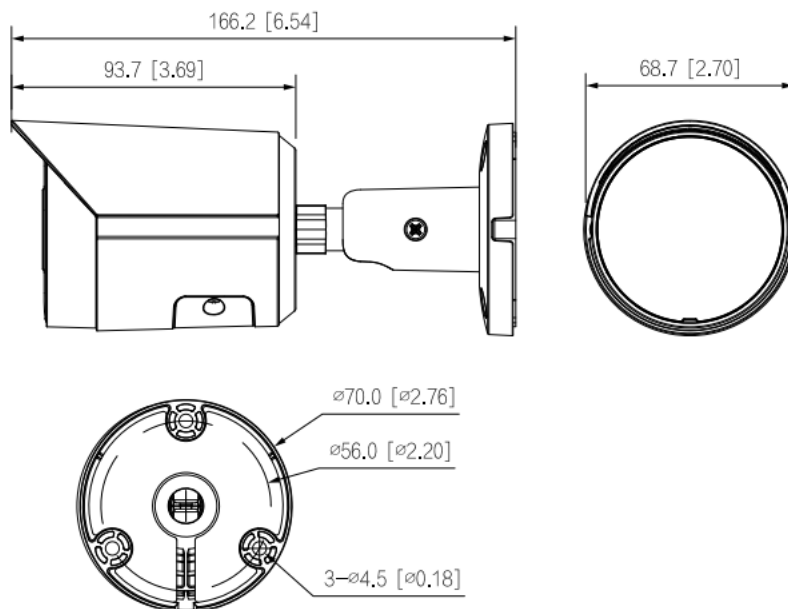
## 4 MP IR Network Bullet Camera - 30Mtr.

Feature	Specification
Image Sensor	1/2.9" 4MP PS CMOS Image Sensor (0.8758cm)
Minimum Illumination	0.006 Lux@F1.6(Color,30IRE) 0.0006 Lux@F1.6(B/W,30IRE) 0 lux (Illuminator on)
Effective Pixels	2688 (H) × 1520 (V)
Shutter Speed	Auto/Manual, 1/3 s–1/100,000 s
RAM	128 MB
ROM	128 MB
White Balance	Auto / natural /street lamp / outdoor / manual / regional custom
Gain Control (AGC)	Auto/Manual
Lens	3.6mm fixed lens (2.8mm optional)
DORI Distance	Lens 2.8 mm (Detect - 63.6 m) , (Observe - 25.4 m) , (Recognize - 12.7 m) , (Identify - 6.4 m) / Lens 3.6 mm (Detect -85.4 m) , (Observe -34.2 m) , (Recognize-17.1 m) , (Identify- 8.5 m)
Lens Mount	M12
Lens Type	Fixed-focal
Max. Aperture	F1.6
Close Focus Distance	2.8 mm: 0.9 Mtr. , 3.6 mm: 1.6 Mtr.
Angle of View	2.8mm: H: 95°; V: 52°; D: 114°; 3.6mm: H: 78°; V: 41°; D: 94°
Iris Control	Fixed
Back Light Compensation	BLC / HLC / WDR(120dB)
Video Compression	Smart H.264+, H.265, H.264H, H.264, H.264B, MJPEG (Only supported by the sub stream)
Encode Strategy	Smart Instastream
Frame Rate	Main stream: 2688 × 1520@ (1–20 fps)/2560 × 1440@ (1–25/30 fps) Sub stream: 704 × 576@ (1–25 fps)/704 × 480@ (1–30 fps)
Stream Capability	2 Streams
Resolution	4M (2688 × 1520); 4M (2560 × 1440); 3M (2304 × 1296); 1080p (1920 × 1080); 1.3M (1280 × 960); 720p (1280 × 720); D1 (704 × 576/704 × 480); VGA (640 × 480); CIF (352 × 288/352 × 240)

Feature	Specification
Bit Rate	H.264: 32 kbps–6144 kbps H.265: 12 kbps–6144 kbps
Bit Rate Control	CBR/VBR
S/N Ratio	>56 dB
Pan,Tilt, Rotation	Pan: 0°–360° / Tilt: 0°–90° / Rotation: 0°–360°
Noise Reduction	3D NR
Motion detection	OFF/ON (4 areas, rectangular)
Privacy Mask	4 areas
Day/Night	Auto (ICR)/Color/B/W
ROI	Support (4 areas)
Smart Phone	iPhone, iPad, Android Phone
Audio Compression	G.711a; G.711Mu; PCM; G.726
Audio	Built-in Mic
Protocol	IPv4; IPv6; HTTP; TCP; UDP; ARP; RTP; RTCP; RTMP; SMTP; FTP; SFTP; DHCP; DNS; DNS; NTP; Multicast; ICMP; IGMP, ONVIF (Profile S/Profile G/Profile T); CGI
User/Host	6 (Total bandwidth: 36 Mbps)
Ethernet	RJ-45 (10/100 Base-T)
SDK and API	Support
Smart search	Work together with Smart NVR to perform refine intelligent search, event extraction and merging to event videos
Alarm Event	No SD card; SD card full; SD card error; network disconnecton; illegal aces; moton detecton; video tampering; tripwire; intrusion; SMD; voltage detecton; security excepton
IVS	Intrusion, tripwire (the two functions support the classification and accurate detection of vehicle and human)
Cyber Security	Configuration encryption; Trusted execution; Digest; Security logs; WSSE; Account lockout; syslog; Video encryption;802.1x;IP/MAC filtering; HTTPS; Trusted upgrade; Trusted boot; Generation and importing of X.509 certification
Mirror Function	Support
Browser	IE , Chrome, Firefox
Storage	FTP; SFTP; Micro SD card (support max. 256 GB)
IR Control	Auto, Manual
IR Distance	IR Range of 30 Mtr.
IR Number	1 (IR LED)

Feature	Specification
Image Rotation	0°/90°/180°/270° (Support 90°/270° with 2688 × 1520 resolution and lower)
Weatherproof Standard	IP67
Operating Temperature	−40 °C to +60 °C (−40 °F to +140 °F)
Operating Humidity	≤95%
Storage Temperature	−40 °C to +60 °C (−40 °F to +140 °F)
Power Source	12 VDC/PoE (802.3af)
Power Consumption	Basic: 2.5 W (12 VDC); 3.3 W (PoE); Max. (ICR + H.265 + max. resolution + main stream + IR intensity + WDR + IVS): 4.2 W (12 VDC); 5.1 W (PoE)
Casing	Metal
Dimension	166.2 mm × 70 mm × 70 mm
Weight	0.48 kg

Dimensions (mm/inch)



Accessories : Optional



CP-UA-B2P  
Pole Mount Bracket

**Company Name:**

CP PLUS (Aditya Infotech Ltd.)  
F-28 Okhla Industrial Area, Phase 1,  
New Delhi 110020, INDIA

**Contact Mail ID :-** [customercare@cpplusworld.com](mailto:customercare@cpplusworld.com)