

# CP-UNC-TC21L5C-VMDS

2 MP Full HD WDR IR Network Bullet Camera - 50 Mtr.

- 1/2.8" 2Megapixel PS CMOS Image Sensor (0.9071 cm)
- Instastream and H.264+ triple-stream encoding
- Max 25/30fps@1080P(1920×1080)
- WDR(120dB), Day/Night (ICR), 3D-DNR, ROI, AWB, AGC, BLC, HLC
- IR Range of 50 Mtrs.
- 3.6mm fixed lens (2.8mm, 6mm optional)
- Built-in Mic, Micro SD Card, IP67, PoE
- Support Starlight Technology
- Mobile Software: iCMOB, gCMOB
- CMS Software: KVMS Pro



## System Overview

2MP Series has gathered a lot of fame over the years for its eminent capabilities on top of its artful appearance which lets it mix in any background. This series entails a wide range of easily-mountable solutions that have been crafted with the IR Megapixel technology that delivers resolutions varying from 2MP to 8MP depending on your choice of products. CP Plus 2MP Series comes with a varifocal lens/motorized/ fixed lens and is absolutely pocket-friendly, which makes it the best choice for a number of small and mid-size places.

## Functions

### Starlight Technology

This camera is widely used to provide sharper and clearer picture quality with the help of its exceptional starlight sensitivity as the camera improves night vision in low light conditions. This technology is useful in conditions with extremely low light as the starlight technology turns almost completely dark images into those of clear colors.



## CP-UNC-TC21L5C-VMDS

2 MP Full HD WDR IR Network Bullet Camera - 50 Mtr.

### Functions

#### Wide Dynamic Range (WDR)

When a scene is partly dark and partly bright, that is the dynamic range that distorts images due to this difference in the lighting. WDR technology provides you balanced lighting for a clear and vivid image throughout the day. WDR technology can be installed at entry/exit points of any building structure, jewellery shops, outdoor location among so many other places.

#### Live Viewing

Unlike some, this technology enables you to record the picture feed but view it live as well at your convenience. On top of that, the advantages of high-resolution video recording are numerous.

#### Smart Analytical Support

Using an advanced algorithm, smart analytical technology lets you set a multitude of safety parameters and sends you alerts when any of those parameters have been compromised. Not just when there's an occurrence of tripwire or intrusion.

#### True Day/Night (ICR)

When the scene is too dark, the image is captured by illuminating an infrared light through the camera onto the scene that greatly helps with making the scene visible for the lens. It delivers color images during the day and automatically switches to the monochrome feature as the scene darkens.

#### Regions of Interest

Regions of Interest (ROI) is a user defined feature that allows the operator to monitor specific areas of a scene while still maintaining overall situational awareness of less important areas.

#### gCMOB/ iCMOB

Designed to allow users to access and control live streaming from CP PLUS IP Cameras, DVRs/ NVRs and Video Door Phones, the CP PLUS gCMOB/ iCMOB application offers a host of features such as Easy GUI, up to 16 live viewing split-ups; InstaOn cloud support; Playback; digital zoom ins; two-way talk, and more.

### About CP PLUS

The brand that is on its way to lead the world when it comes to the security and surveillance industry, CP PLUS, keeps bombarding the market with the most reliable range of products that have been designed carefully and methodically to automate the whole surveillance and security process, no matter how big your premises are.

It was the initiative to help the public in the area where they are the most vulnerable and to empower the sense of safety in our hearts that had conceptualized CP PLUS. And embarking on its mission to make the world a safer and more secure place has taken the brand's journey to unprecedented levels even when compared to international competitors.



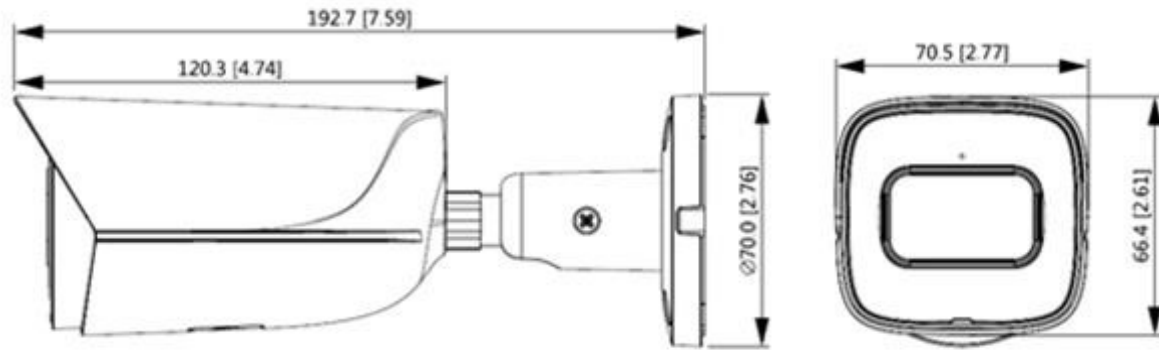
# CP-UNC-TC21L5C-VMDS

2 MP Full HD WDR IR Network Bullet Camera - 50 Mtr.

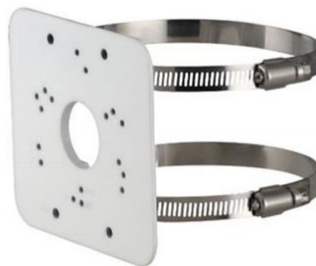
Feature	Specification
Image Sensor	1/2.8" 2 Megapixel PS CMOS (0.9071 cm)
Minimum Illumination	0.002 Lux@F1.6 (Color, 30IRE) 0.0002 Lux@F1.6 (B/W, 30IRE) 0 Lux (IR on)
Effective Pixels	1920(H) x 1080(V)
Shutter Speed	Auto/Manual 1/3 s–1/100000 s
White Balance	Auto/natural/street lamp/outdoor/manual/regional custom
Lens	3.6mm (2.8mm, 6mm optional)
ROM & RAM	128MB & 256MB
S/N Ratio	>56dB
Mount Type	M12
Max. Aperture	F1.6
Iris Type	Fixed aperture
Lens Type	Fixed focal
Close Focus Distance	3.6 mm: 1.2m ; 2.8 mm: 0.6m; 6mm: 2.5m
DORI Distance	3.6mm- 55.2m (Detect) 22.1m (Observe) 11.0m (Recognize) 5.5m (Identify) 2.8mm- 38.6m (Detect) 15.4m (Observe) 7.7m (Recognize) 3.9m (Identify) 6mm- 82.8m (Detect) 33.1m (Observe) 16.6m (Recognize) 8.3m (Identify)
Gain Control (AGC)	Auto/Manual
Video Compression	Instastream/H.265/H.264+/H.264/H.264H; H.264B; MJPEG
Angle of View	3.6mm: H: 87°; V: 46°; D: 104°, 2.8mm: H:106°; V: 57°; D: 126°, 6mm: H: 54°; V: 29°; D: 63°
Back Light Compensation	BLC / HLC / WDR(120dB)
Video Streaming	Main stream (1920 × 1080@1–25/30 fps) sub stream(704 × 576@1–25/30 fps) third stream (1280 × 720@1–25/30 fps)
Resolution	1080P (1920 × 1080); 1.3MP (1280 × 960); 720P (1280 × 720); D1 (704 × 576/704 × 480); VGA (640 × 480); CIF (352 × 288/352 × 240)
Motion detection	OFF/ON (4 areas, rectangular)
Privacy Mask	4 areas
ICR	ICR auto switch
ROI	Yes (4 areas)

Feature	Specification
Noise Reduction	3D-DNR
Audio Input	1 channel (RCA port)
Audio Output	1 channel (RCA port)
Audio Compression	G.711a/ G.711Mu/ AAC/ G.726
Audio	Built-in Mic
Alarm IN	1 channels in: 5mA 3V–5V DC
Alarm Out	1 channel Out: 300mA 12VDC
Bit Rate	H.264: 3 Kbps–8192 Kbps H.265: 3 Kbps–8192 Kbps
Protocol	IPv4; IPv6; HTTP; HTTPS; TCP; UDP; ARP; RTP; RTSP; RTCP; RTMP; SMTP; FTP; SFTP; DHCP; DNS; DDNS; QoS; UPnP; NTP; Multicast; ICMP; IGMP; NFS; PPPoE; SNMP; ONVIF (Profile S/ Profile G/Profile T); CGI; InstaOn; Milestone; Genetec
Smart Detection	Tripwire, Intrusion (Recognition of human and vehicle)
Intelligent Search	Work together with Smart NVR to perform refine intelligent search, event extraction and merging to event videos
Ethernet	RJ-45 (10/100Base-T)
Video Bit Rate	H.264: 3 Kbps–8192 Kbps; H.265: 3 Kbps–8192 Kbps
Event Trigger	Motion detection, video tampering, scene changing, audio detection, no SD card, SD card full, SD card error, network disconnection, IP conflict, illegal access, voltage detection
User Account	20 users (Total bandwidth: 64 M)
Smart Phone	iPhone, iPad, Android Phone
IR	IR Range of 50 Mtr.
No of IR LEDs	1
Micro SD	FTP; Micro SD Card (support max. 512GB); NAS
Browser	IE IE8, IE9, IE11, Google, Firefox
Operating Temperature	-40°C to +60°C (-40°F to +140°F)/ less than ≤95%
Power Source	12V DC/PoE
Power Consumption	< 5.2W
Weatherproof Standard	IP67
Casing	Metal
Dimension	192.7 mm × 70.5 mm × 66.4 mm
Weight	590g

Dimensions (mm/inch)



Accessories : Optional



CP-UA-B2P

Pole Mount