

CP-UNC-TE41ZL6T-VMDS

4MP Full HD WDR IR Network Bullet Camera - 60Mtr.

- 1/1.8" 4MP PS CMOS Image Sensor (1.411 centimeters)
- Max 4MP (2688×1520)@25/30 fps
- Instastream, H.265 and H.264 , Quad stream encoding
- WDR(140dB), Day/Night(ICR), 3D DNR, AWB, AGC, BLC, HLC, Digital watermarking
- 2.7mm ~12mm Motorized Lens
- Built-in Mic, IR Range of 60 Mtrs, Micro SD Card, IP67, IK10, ePoE
- Mobile Software: iCMOB, gCMOB
- CMS Software: KVMS Pro Lite



System Overview

Understanding the need of the hour in the security and surveillance industry, this series has been integrated with the starlight technology along with efficient and powerful deep-learning algorithms to make your life hugely easier. The numerous AI-based smart functions of this camera let you capture a face, protect the perimeter and even count people, greatly improving the accuracy of your video analysis. This camera also complies with international certification standards such as IP67 and IK10, as this camera is not just dust-proof and water-proof but also shock-proof and vandal-proof (which is given in selected models).

Functions

Face Detection

With the help of the deep learning algorithm that is used in this technology, people can easily be detected, tracked, recorded, and captured. It takes only a second to detect one human face. This facial recognition technology uses biometrics to map facial features from a photograph or video and compares the information with a database of known faces to find a match.



CP-UNC-TE41ZL6T-VMDS

4MP Full HD WDR IR Network Bullet Camera - 60Mtr.

Functions

Wide Dynamic Range (WDR)

When a scene is partly dark and partly bright, that is the dynamic range that distorts images due to this difference in the lighting. WDR technology provides you balanced lighting for a clear and vivid image throughout the day. WDR technology can be installed at entry/exit points of any building structure, jewellery shops, outdoor location among so many other places.

Instastream

This camera has been designed with the latest and most efficient innovation among the standard video compression designs. Smart encoding algorithms developed by CP PLUS help in saving up to 70% more bandwidth than H.265 along with making it more beneficial for minimizing bandwidth and storage costs. It enhances video coding efficiency while providing high resolution and the rate of frame in the video using Intelligent Region Perception to detect motion in each frame.

Smart Analytical Support

Using an advanced algorithm, smart analytical technology lets you set a multitude of safety parameters and sends you alerts when any of those parameters have been compromised. Not just when there's an occurrence of tripwire or intrusion, but also in the cases of missing or abandoned objects.

True Day/Night (ICR)

When the scene is too dark, the image is captured by illuminating an infrared light through the camera onto the scene that greatly helps with making the scene visible for the lens. It delivers color images during the day and automatically switches to the monochrome feature as the scene darkens.

Regions of interest

Regions of Interest (ROI) is a user defined feature that allows the operator to monitor specific areas of a scene while still maintaining overall situational awareness of less important areas.

IntelliCheck & IntelliSearch

CP PLUS Intelllicheck empowers you with an advanced surveillance experience through deep learning algorithms that precisely match as well as locate all the people and vehicles in both the live and recorded video streams. Additionally, CP PLUS IntelliSearch collaborates with Smart NVRs to present refined analytical features such as intelligent searches, event extraction, and seamless merging of event videos to deliver a comprehensive and efficient security solution.

About CP PLUS

The brand that is on its way to lead the world when it comes to the security and surveillance industry, CP PLUS, keeps bombarding the market with the most reliable range of products that have been designed carefully and methodically to automate the whole surveillance and security process, no matter how big your premises are.

It was the initiative to help the public in the area where they are the most vulnerable and to empower the sense of safety in our hearts that had conceptualized CP PLUS. And embarking on its mission to make the world a safer and more secure place has taken the brand's journey to unprecedented levels even when compared to international competitors.



CP-UNC-TE41ZL6T-VMDS

4MP Full HD WDR IR Network Bullet Camera - 60Mtr.

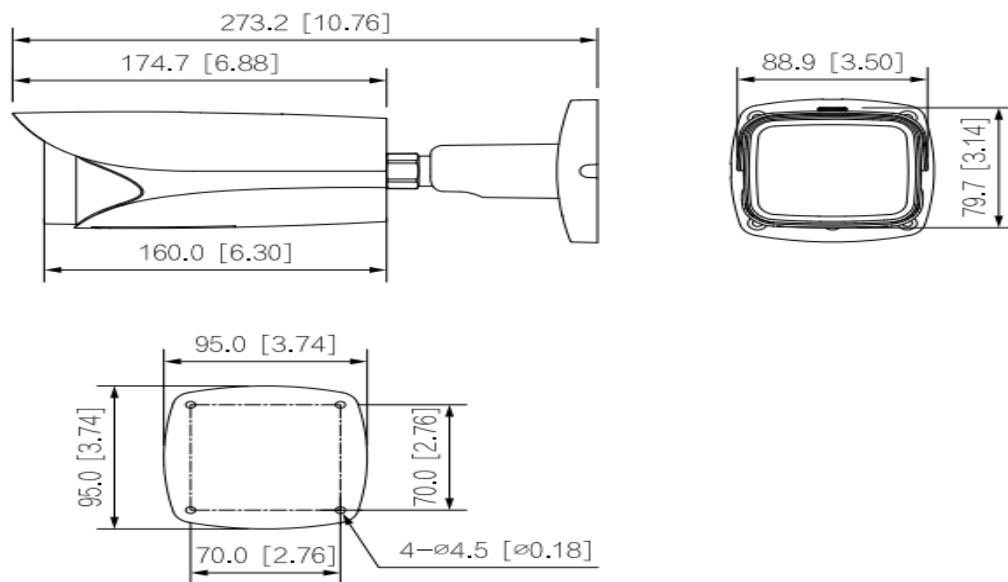
Feature	Specification
Image Sensor	1/1.8" 4MP PS CMOS Image Sensor (1.411 centimeters)
Effective Pixels	2688 (H) × 1520 (V)
Minimum Illumination	0.0007 lux@F1.8 (Color, 30 IRE), 0.0004 lux@F1.8 (B/W, 30 IRE), 0 lux (IR on)
Shutter Speed	Auto/Manual 1/3 s–1/100000 s
Angle Adjustment	Pan: 0°–360°, Tilt: 0°–90°, Rotation: 0°–360°
RAM	1 GB
ROM	4 GB
S/N Ratio	>56 dB
IR	IR Range of 60 Mtr.
IR Number	4 IR LED
IR Control	Auto, Manual
Lens Type	Motorized vari-focal
Lens Mount	M14
Lens	2.7mm~12mm Motorized Lens
Max. Aperture	F1.8
Angle of View	H: 115°–47°, V: 62°–27°, D: 137°–54°
Iris Control	Auto
Close Focus Distance	1.5m
DORI Distance	Lens W: 57.5m (Detect), 23.0m (Observe), 11.5m (Recognize), 5.8m (Identify) Lens T: 130.8m (Detect), 52.3m (Observe), 26.2m (Recognize), 13.1m (Identify)
IVS (Perimeter Protection)	Intrusion, tripwire, fast moving (the three functions support the classification and accurate detection of vehicle and human), loitering detection, people gathering, and parking detection
Smart Detection	Smart abandoned object, smart missing object
SMD	SMD 3.0
IntelliCheck	Uses deep learning algorithms and works with back-end devices to accurately match targets, such as people and motor vehicles, and search through live and recorded videos to quickly locate targets.

Feature	Specification
AI SSA	Support
Face Detection	Face detection, track, snapshot, snapshot optimization, optimal face snapshot upload, face enhancement, face exposure, face attributes extraction including 6 attributes and 8 expressions, face snapshot set as face, one-inch photo or custom, snapshot strategies (real-time snapshot, quality priority and optimization snapshot), face angle filter, optimization time setting
People Counting	Tripwire people counting, generating and exporting report (day/week/month/year), people counting in area and queue management, generating and exporting report (day/week/month), 4 rules can be set for tripwire, people counting in area and queue management.
Video Metadata	Motor vehicle, non-motor vehicle, face, human body detection, track, snapshot, snapshot optimization, optimal face snapshot upload. Motor vehicle attributes: vehicle type, vehicle colour, vehicle logo and other attributes : seat-belt, smoking, calling. Non-motor vehicle attributes: type, colour, number of people, top type and colour, hat. Human body attributes: gender, top/bottom type and colour, bag, hat and umbrella. Face attributes: gender, age, expressions, glasses, face mask and beard.
IntelliSearch	Work together with Smart NVR to perform refine intelligent search, event extraction and merging to event videos
Heat Map	Support
Smart Sound Detection	Support
Video Compression	H.265, H.264, H.264H, H.264B, MJPEG (Only supported by the sub stream)
Encode Strategy	Instastream, H.264+
Frame Rate	Main stream: 2688×1520 (1 fps–25/30 fps) /1920×1080 (1 fps–50/60 fps) Sub stream: D1@(1–25/30 fps), Third stream: 2M@(1–25/30 fps), Fourth stream: 1M@(1–25/30 fps)
stream Capability	Quad streams
Resolution	4M (2688×1520), 3.6M (2560×1440), 3M (2048×1536), 3M (2304×1296), 2M (1920×1080), 1.3M (1280×960), 1M (1280×720), D1 (704×576/ 704×480), VGA (640×480), CIF (352×288/ 352×240)
Bit Rate Control	CBR/VBR
Bit Rate	H.265: 12 kbps–11008 kbps, H.264: 32 kbps–16384 kbps
Day/Night	Auto(ICR)/Color/B/W
Back Light Compensation	BLC/ HLC/ WDR(140dB)
ISA (Intelligent Scene Adaption)	Support

Feature	Specification
White Balance	Auto, natural, street lamp, outdoor, manual, regional custom
Gain Control(AGC)	Auto
Noise Reduction	3D DNR
Motion detection	OFF/ON (4 areas, rectangular)
ROI	Support (4 areas)
Image Stabilization	Electronic Image Stabilization (EIS)
Smart IR	Support
Defog	Support
Image Rotation	0°/90°/180°/270° (Support 90°/270° with 4M (2688×1520) resolution and lower)
Mirror Function	Support
Privacy Mask	8 Areas
LDC	Support
Audio	Built-in Mic
Audio Compression	G.711a, G.711Mu, PCM, G.726, G.723, AAC
Alarm Event	No SD card, SD card full, SD card error, network disconnection, IP conflict, illegal access, motion detection, video tampering, tripwire, intrusion, fast moving, abandoned object, missing object, loitering detection, people gathering, parking detection, scene changing, audio detection, voltage detection, external alarm, face detection, video metadata, SMD, people counting in area, stay detection, people counting, people number error detection, queue people number alarm, queue time alarm, security exception, defocus detection
Ethernet	RJ-45 (10/100 Enhancement Base-T)
SDK and API	Support
Protocol	IPv4, IPv6, HTTP, TCP, UDP, ARP, RTP, RTSP, RTCP, RTMP, SMTP, FTP, SFTP, DHCP, DNS, DDNS, QoS, UPnP, NTP, Multicast, ICMP, IGMP, NFS, PPPoE, SNMP, ONVIF (Profile S/Profile G/Profile T), CGI
User/Host	20 (Total bandwidth: 80 M)
Storage	FTP, SFTP, NAS, Micro SD card (support max. 512 GB)
Smart Phone	iPhone, iPad, Android Phone

Feature	Specification
Browser	IE, Chrome, Firefox
Cyber Security	Configuration encryption, trusted execution, Digest, security logs, WSSE, account lockout, syslog, video encryption, 802.1x, IP/MAC filtering, HTTPS, trusted upgrade, trusted boot, firmware encryption, generation and importing of CA certification.
Audio Input	1 Channel
Audio Output	1 Channel
Alarm IN	2 channels in: wet contact, 5mA 3V–5V DC
Alarm Out	1 channel out: wet contact, 300mA 12V DC
Power Source	12 VDC/PoE (802.3af)/ePoE
Power Consumption	Basic: 3.7 W (12 VDC), 4.9 W (PoE) Max. (H.265+ WDR+ Intelligence on+IR on): 9.8 W (12 VDC), 12.3 W (PoE)
Operating Temperature	–30°C to +60°C (–22°F to +140°F)
Operating Humidity	≤95%(RH), non-condensing
Storage Temperature	–40°C to +60°C (–40°F to +140°F)
Storage Humidity	10%–95% (RH), non-condensing
Weatherproof Standard	IP67 & IK10
Casing	Plastic
Dimension	273.2mm × 95.0mm × 95.0mm
Weight	1.12 kg

Dimensions (mm/inch)



Company Name:

CP PLUS (Aditya Infotech Ltd.)

F-28 Okhla Industrial Area, Phase 1,

New Delhi 110020, INDIA

Contact Mail ID :- customercare@cpplusworld.com