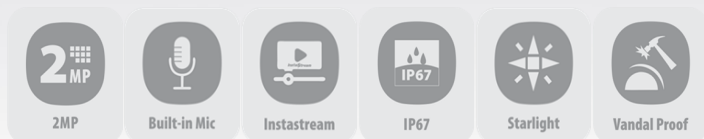


CP-UNC-VE21L5T-VMDS

2MP WDR Network IR Vandal Dome Camera - 50Mtr.

- 1/2.8" 2MP PS CMOS Image Sensor(0.9071cm)
- 1920(H) × 1080(V) @25/30fps
- Instastream, AI H.264/AI H.265, H.265, Smart H.264+ H.264 Encoding
- WDR(120dB), Day/Night(ICR), Defog, 3D-NR, ROI, AWB, AGC,HLC, BLC
- 3.6 mm Fixed Lens (2.8mm, 6mm Optional)
- Support Starlight Technology
- IR Range of 50 Mtrs, Micro SD Card, SMD 3.0
- Support Built in Mic, IP67, IK10, PoE
- Mobile Software: iCMOB, gCMOB
- CMS Software: KVMS Pro



System Overview

Understanding the need of the hour in the security and surveillance industry, this series has been integrated with the starlight technology along with efficient and powerful deep-learning algorithms to make your life hugely easier. The numerous AI-based smart functions of this camera let you capture a face, protect the perimeter and even count people, greatly improving the accuracy of your video analysis. This camera also complies with international certification standards such as IP67 and IK10, as this camera is not just dust-proof and water-proof but also shock-proof and vandal-proof

Functions

Power over Ethernet

This product uses the latest PoE technology to troubleshoot the occurrence of any issues in the system making it easier to use. With the help of this technology, your camera now only consumes energy directly from the power supply and doesn't require any mid-way switches.



CP-UNC-VE21L5T-VMDS

2MP WDR Network IR Vandal Dome Camera - 50Mtr.

Functions

Wide Dynamic Range (WDR)

When a scene is partly dark and partly bright, that is the dynamic range that distorts images due to this difference in the lighting. WDR technology provides you balanced lighting for a clear and vivid image throughout the day. WDR technology can be installed at entry/exit points of any building structure, jewelry shops, outdoor location among so many other places.

Starlight Technology

This camera is widely used to provide sharper and clearer picture quality with the help of its exceptional starlight sensitivity as the camera improves night vision in low light conditions. This technology is useful in conditions with extremely low light as the starlight technology turns almost completely dark images into those of clear colors.

IK10 Technology

This product has been inculcated with the IK10 vandal resistance technology which is the topmost mechanical protection in the surveillance industry. This technology enables your camera in developing a strong and robust appearance that can't be defeated by water, dust or even severe shocks as the powerful housing of this camera deters any damage from occurring.

True Day/Night (ICR)

When the scene is too dark, the image is captured by illuminating an infrared light through the camera onto the scene that greatly helps with making the scene visible for the lens. It delivers color images during the day and automatically switches to the monochrome feature as the scene darkens.

Face Detection

With the help of the deep learning algorithm that is used in this technology, people can easily be detected, tracked, recorded, and captured. It takes only a second to detect one human face. Face detection is useful in cameras to help with auto-focus. This technology is mainly used to identify the presence of a human face.

About CP PLUS

The brand that is on its way to lead the world when it comes to the security and surveillance industry, CP PLUS, keeps bombarding the market with the most reliable range of products that have been designed carefully and methodically to automate the whole surveillance and security process, no matter how big your premises are.

It was the initiative to help the public in the area where they are the most vulnerable and to empower the sense of safety in our hearts that had conceptualized CP PLUS. And embarking on its mission to make the world a safer and more secure place has taken the brand's journey to unprecedented levels even when compared to international competitors.



CP-UNC-VE21L5T-VMDS

2MP WDR Network IR Vandal Dome Camera - 50Mtr.

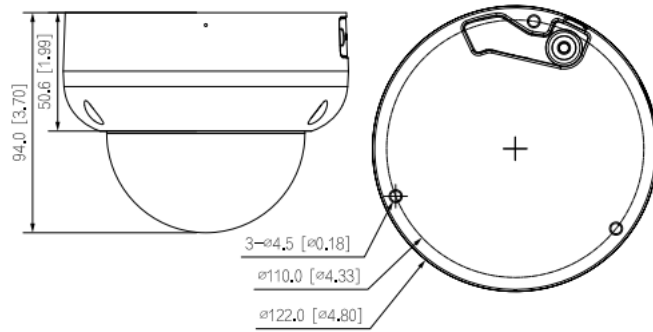
Feature	Specification
Image Sensor	1/2.8" 2MP PS CMOS Image Sensor (0.0.9071cm)
Minimum Illumination	0.0007 lux@F1.6(Color, 30 IRE) 0.0004 lux@F1.6(B/W, 30 IRE) 0 lux (Illuminator on)
Effective Pixels	1920 (H) × 1080 (V)
Shutter Speed	Auto/Manual, 1/3s - 1/100000s
White Balance	Auto/ natural/ street lamp/ outdoor/ manual/ regional custom
RAM	1 GB
ROM	4 GB
Lens	3.6mm (2.8mm, 6mm Optional)
Close Focus Distance	2.8 mm: H: 106°; V: 56°; D: 127°
	3.6 mm: H: 88°; V: 44°; D: 105°
	6 mm: H: 54°; V: 29°; D: 63°
Gain Control(AGC)	Auto
Lens Type	Fixed-focal
Iris Control	Fixed
Max. Aperture	F1.6
Lens Mount	M12
Pan,Tilt, Rotation	Pan: 0°-355°; Tilt: 0°-80°; Rotation: 0°-355°
DORI Distance	2.8mm: 43.9Mtr(Detect) 17.5Mtr(Observe) 8.8Mtr(Recognize) 4.4Mtr(Identify),
	3.6mm: 58.9Mtr(Detect) 23.6Mtr(Observe) 11.8Mtr(Recognize) 5.9Mtr(Identify),
	6mm: 85.5Mtr(Detect) 34.2Mtr(Observe) 17.1Mtr(Recognize) 8.6Mtr(Identify)
Video Compression	AI H.265, H.265;AI H.264,; Smart H.264+ H.264; H.264H; H.264B; MJPEG (Only supported by the sub stream)
Encode Strategy	Instastream
Stream Capability	4 Streams

Feature	Specification
Resolution	1080p (1920 × 1080); 1.3M (1280 × 960); 720p (1280 × 720); D1 (704 × 576/704 × 480); VGA (640 × 480); CIF (352 × 288/352 × 240)
Frame Rate	Main stream: 2MP@1–25/30 fps Sub stream: D1@(1–25/30 fps), 2MP@(1–25/30 fps), 1MP(1–25/30 fps)
Bit Rate	H.264: 32 kbps–12032 kbps H.265: 12 kbps–7424 kbps
Bit Rate Control	CBR/VBR
S/N Ratio	>56 dB
Back Light Compensation	BLC / HLC / WDR(120dB)
Angle of View	2.8 mm: H: 106°; V: 56°; D: 127° 3.6 mm: H: 88°; V: 44°; D: 105° 6 mm: H: 54°; V: 29°; D: 63°
Noise Reduction	3D-NR
Motion detection	Support (4 areas, rectangular)
Privacy Mask	8 areas
ROI	Support (4 areas)
Audio Input	1Ch. (RCA port)
Audio Output	1Ch. (RCA port)
Audio	Built in Mic
Audio Compression	G.711a; G.711Mu; PCM; G.726; G.723
Alarm IN	1 channel in: wet contact, 5 mA 3V–5 VDC
Alarm Out	1 channel out: wet contact, 300mA 12V DC
LDC	Support (only 2.8mm/3.6mm supports)
Protocol	IPv4; IPv6; HTTP; TCP; UDP; ARP; RTP; RTSP; RTCP; RTMP; SMTP; FTP; SFTP; DHCP; DNS; DDNS; QoS; UPnP; NTP; Multicast; ICMP; IGMP; NFS; PPPoE; SNMP; ONVIF (Profile S/Profile G/Profile T); CGI
SDK and API	Support
Ethernet	RJ-45 (10/100Base-T)
Day/Night	Auto(ICR)/Color/B/W

Feature	Specification
Alarm Event	No SD card; SD card full; SD card error; network disconnection; IP conflict; illegal access; motion detection; video tampering; tripwire; intrusion; fast moving; abandoned object; missing object; loitering detection; people gathering; parking detection; scene changing; audio detection; voltage detection; external alarm; face detection; video metadata; SMD; people counting in area; stay detection; people counting; people number error detection; queue people number alarm; queue time alarm; security exception
User/Host	20 (Total bandwidth: 80 Mbps)
Heat Map	Support
Defog	Support
Image Rotation	0°/90°/180°/270° (Support 90°/270° with 1080p resolution and lower)
Scene Self-adaptation(SSA)	Support
Smart IR	Support
Smart Sound Detection	Support
AI SSA	Support
SMD	SMD 3.0
IR Distance	IR Range of 50 Mtr.
IR Control	Auto; Manual
IR Number	2 (IR LED)
Browser	IE: IE 9 and later Chrome: Chrome 102 and later Firefox: Firefox 88 and later
Mirror Function	Support
Storage	FTP; SFTP; Micro SD card (support max. 512 GB); NAS
Smart Phone	iPhone, iPad, Android Phone
Cyber Security	Configuration encryption; trusted execution; Digest; security logs; WSSE; account lockout; syslog; video encryption; 802.1x; IP/MAC filtering; HTTPS; trusted upgrade; trusted boot; firmware encryption; generation and importing of X.509 certification.
IVS	Intrusion, tripwire, fast moving (the three functions support the classification and accurate detection of vehicle and human); loitering detection, people gathering, and parking detection, Smart abandoned object; smart missing object
Intelli Check	Uses deep learning algorithms and works with back-end devices to accurately match targets, such as people and motor vehicles, and search through live and recorded videos to quickly locate targets.

Feature	Specification
People Counting	Tripwire people counting, generating and exporting report (day/week/month/year); people counting in area and queue management, generating and exporting report (day/week/month); 4 rules can be set for tripwire, people counting in area and queue management.
Video Metadata	Motor vehicle, non-motor vehicle, face, human body detection; track; snapshot; snapshot optimization; optimal face snapshot upload. Motor vehicle attributes: vehicle type, vehicle color, vehicle logo and other attributes : seatbelt, smoking, calling. Non-motor vehicle attributes: type, color, number of people, top type and color, hat. Human body attributes: gender, top/bottom type and color, bag, hat and umbrella. Face attributes: gender, age, expressions, glasses, face mask and beard.
Face Detection	Face detection; track; snapshot; snapshot optimization; optimal face snapshot upload; face enhancement; face exposure; face attributes extraction including 6 attributes and 8 expressions; face snapshot set as face, one inch photo or custom; snapshot strategies (real-time snapshot, quality priority and optimization snapshot); face angle filter; optimization time setting
Smart search	Work together with Smart NVR to perform refine intelligent search, event extraction and merging to event videos
Dual Power Backup	When the power adapter and PoE provide power at the same time, disconnect one of them. The device will continue to work, but will not restart.
Weatherproof Standard	IP67, IK10
Operating Temperature	-40 °C to +60 °C (-40 °F to +140 °F)
Operating Humidity	≤95%
Storage Temperature	-40 °C to +60 °C (-40 °F to +140 °F)
Storage Humidity	10%–95% (RH), non-condensing
Power Source	12 VDC/PoE (802.3af)/ePoE
Power Consumption	Basic: 4.1 W (12 VDC); 5.2 W (PoE) Max. (H.265 + WDR+ Intelligence on + IR on): 6.8 W (12 VDC); 8.8 W (PoE)
Casing	Metal
Dimension	94.0 mm × Φ122.0 mm
Weight	712.9 gm

Dimensions (mm/inch)



Company Name:

CP PLUS (Aditya Infotech Ltd.)

F-28 Okhla Industrial Area, Phase 1,

New Delhi 110020, INDIA

Contact Mail ID :- customercare@cpplusworld.com