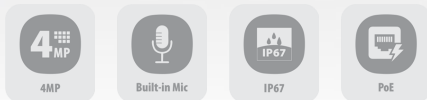


# CP-UNC-VE41ZL4T-VMDS

## 4MP WDR Network IR Vandal Dome Camera - 40Mtr.

- 1/1.8" 4MP PS CMOS Image Sensor (1.411 centimeter)
- 2688(H)×1520(V) @25/30 fps
- Instastream, H.265, H.264, H.264 Encoding
- WDR(140dB), Day/Night (ICR), 3D NR, Defog, ROI, EIS, BLC, HLC, Digital watermarking
- 2.7 -12mm Motorized Lens
- IR Range of 40 Mtrs, Micro SD Card, SMD 3.0
- Support Built in Mic, IP67, IK10, PoE
- Mobile Software: iCMOB, gCMOB
- CMS Software: KVMS Pro



### System Overview

Understanding the need of the hour in the security and surveillance industry, this series has been integrated with the starlight technology along with efficient and powerful deep-learning algorithms to make your life hugely easier. The numerous AI-based smart functions of this camera let you capture a face, protect the perimeter and even count people, greatly improving the accuracy of your video analysis. This camera also complies with international certification standards such as IP67 and IK10, as this camera is not just dust-proof and water-proof but also shock-proof and vandal-proof (which is given in selected models).

### Functions

#### Face Detection

With the help of the deep learning algorithm that is used in this technology, people can easily be detected, tracked, recorded, and captured. It takes only a second to detect one human face. Face detection is useful in cameras to help with auto-focus. This technology is mainly used to identify the presence of a human face.



## CP-UNC-VE41ZL4T-VMDS

4MP WDR Network IR Vandal Dome Camera - 40Mtr.

### Functions

#### Wide Dynamic Range (WDR)

When a scene is partly dark and partly bright, that is the dynamic range that distorts images due to this difference in the lighting. WDR technology provides you balanced lighting for a clear and vivid image throughout the day. WDR technology can be installed at entry/exit points of any building structure, jewellery shops, outdoor location among so many other places.

#### Instastream

This camera has been designed with the latest and most efficient innovation among the standard video compression designs. Smart encoding algorithms developed by CP PLUS help in saving up to 70% more bandwidth than H.265 along with making it more beneficial for minimizing bandwidth and storage costs. It enhances video coding efficiency while providing high resolution and the rate of frame in the video using Intelligent Region Perception to detect motion in each frame.

#### Smart Analytical Support

Using an advanced algorithm, smart analytical technology lets you set a multitude of safety parameters and sends you alerts when any of those parameters have been compromised. Not just when there's an occurrence of tripwire or intrusion, but also in the cases of missing or abandoned objects.

#### True Day/Night (ICR)

When the scene is too dark, the image is captured by illuminating an infrared light through the camera onto the scene that greatly helps with making the scene visible for the lens. It delivers color images during the day and automatically switches to the monochrome feature as the scene darkens.

#### Regions of Interest

Regions of Interest (ROI) is a user defined feature that allows the operator to monitor specific areas of a scene while still maintaining overall situational awareness of less important areas.

#### gCMOB/ iCMOB

Designed to allow users to access and control live streaming from CP PLUS IP Cameras, DVRs/ NVRs and Video Door Phones, the CP PLUS gCMOB/ iCMOB application offers a host of features such as Easy GUI, up to 16 live viewing split-ups; InstaOn cloud support; Playback; digital zoom ins; two-way talk, and more.

### About CP PLUS

The brand that is on its way to lead the world when it comes to the security and surveillance industry, CP PLUS, keeps bombarding the market with the most reliable range of products that have been designed carefully and methodically to automate the whole surveillance and security process, no matter how big your premises are.

It was the initiative to help the public in the area where they are the most vulnerable and to empower the sense of safety in our hearts that had conceptualized CP PLUS. And embarking on its mission to make the world a safer and more secure place has taken the brand's journey to unprecedented levels even when compared to international competitors.



# CP-UNC-VE41ZL4T-VMDS

4MP WDR Network IR Vandal Dome Camera - 40Mtr.

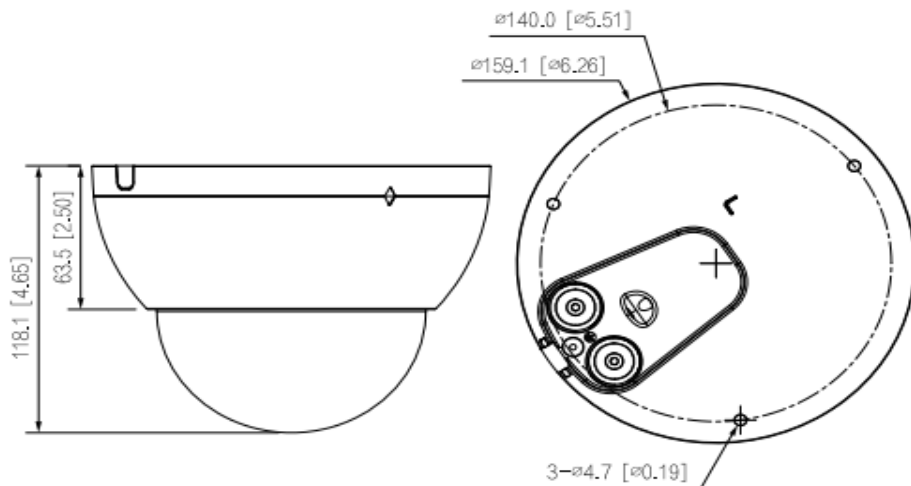
Feature	Specification
Image Sensor	1/1.8" 4MP PS CMOS Image Sensor (1.411 centimeter)
Effective Pixels	2688(H) × 1520(V)
Minimum Illumination	0.0007 lux@F1.8 (Color, 30 IRE), 0.0004 lux@F1.8 (B/W, 30 IRE), 0 lux (IR on)
Angle Adjustment	Pan: 0°–355°, Tilt: 0°–65°, Rotation: 0°–355°
Shutter Speed	Auto/Manual 1/3s–1/100000s
White Balance	Auto/ natural/ street lamp/ outdoor/ manual/ regional custom
RAM	1 GB
ROM	4 GB
Max. Aperture	F1.8
Gain Control(AGC)	Auto
Lens	2.7mm–12mm Motorized Lens
Lens Type	Motorized Lens
Lens Mount	φ14
Close Focus Distance	1.5 m
DORI Distance	Lens W: Detect (57.5 m ), Observe (23.0 m), Recognize (11.5 m), Identify (5.8 m) Lens T:Detect (130.8 m ), Observe (52.3 m), Recognize (26.2 m), Identify (13.1 m)
Back Light Compensation	BLC/HLC/WDR (140 dB)
Smart search	Work together with Smart NVR to perform refine intelligent search, event extraction and merging to event videos
stream Capability	4 streams
Encode Strategy	Instastream, H.264+
Video Compression	H.264, H.264H, H.264B, MJPEG (Only supported by the sub stream)
Angle of View	H:115°-47°, V: 62°-27°, D:137°-54°
S/N Ratio	> 56 dB
Video Streaming	Main stream: 2688×1520 (1 fps–25/30 fps) /1920×1080 (1 fps–50/60 fps) Sub stream: D1@(1–25/30 fps) Third stream:1080p@(1–25/30 fps) Fourth stream: 720p@(1–25/30 fps)

Feature	Specification
Resolution	4M (2688×1520); 3.6M (2560×1440); 3M (2048×1536); 3M (2304×1296); 2M (1920×1080); 1.3M (1280×960); 1M (1280×720); D1 (704×576/704×480); VGA (640×480); CIF (352×288/352×240)
Noise Reduction	3D NR
Image Stabilization	Electronic Image Stabilization (EIS)
Motion detection	Support (4 areas, rectangular)
Privacy Mask	8 areas
ROI	Support (4 areas)
Audio Input	1 channel (RCA port)
Audio Output	1 channel (RCA port)
Audio Compression	G.711a, G.711Mu, PCM, G.726, G.723
Alarm IN	1 channels in: wet contact, 5mA 3V–5V DC
Alarm Out	1 channel out: wet contact, 300mA 12V DC
Bit Rate	H.264:32 kbps–16384 kbps; H.265:12 kbps–11008 kbps
Bit Rate Control	CBR/VBR
LDC	Support
Protocol	IPv4, IPv6, HTTP, TCP, UDP, ARP, RTP, RTSP, RTCP, RTMP, SMTP, FTP, SFTP, DHCP, DNS, DDNS, QoS, UPnP, NTP, Multicast, ICMP, IGMP, NFS, SAMBA, PPPoE, SNMP, ONVIF (Profile S/Profile G/Profile T), CGI
Smart Detection	Smart abandoned object, smart missing object
Day/Night	Auto(ICR)/Color/B/W
Ethernet	RJ-45 (10/100 Enhancement Base-T)
SDK and API	Support
Alarm Event	No SD card, SD card full, SD card error, network disconnection, IP conflict, illegal access, motion detection, video tampering, tripwire, intrusion, fast moving, abandoned object, missing object, loitering detection, people gathering, parking detection, scene changing, audio detection, voltage detection, external alarm, face detection, video metadata, SMD, people counting in area, stay detection, people counting, people number error detection, queue people number alarm, queue time alarm, security exception, defocus detection
User/Host	20 Users (Total bandwidth: 80M)
Cyber Security	Configuration encryption, trusted execution, Digest, security logs, WSSE, account lockout, syslog, video encryption, 802.1x, IP/MAC filtering, HTTPS, trusted upgrade, trusted boot, firmware encryption
Smart Phone	iPhone, iPad, Android Phone
SMD	3.0 SMD

Feature	Specification
IR	IR Range of 40 Mtr.
IR Control	Auto, Zoomprio, Manual
Smart Sound Detection	Support
AI SSA	Support
Mirror Function	Support
Browser	IE, Chrome, Firefox
Storage	FTP, SFTP, Micro SD card (support max. 256 GB), NAS
Audio	Built-in Mic
Operating Humidity	≤95%
Operating Temperature	-30 °C to +60 °C
IVS(Perimeter Protection)	Intrusion, tripwire, fast moving (the three functions support the classification and accurate detection of vehicle and human), loitering detection, people gathering, and parking detection
IntelliCheck	Uses deep learning algorithms and works with back-end devices to accurately match targets, such as people and motor vehicles, and search through live and recorded videos to quickly locate targets.
Smart IR	Support
Image Rotation	0°/90°/180°/270° (Support 90°/270° with 4M (2688×1520) resolution and lower)
Defog	Support
Scene Self-adaptation(SSA)	Support
IR Number	3 (IR LED)
Heat Map	Support
Power Source	12 VDC/24 VAC/PoE (802.3af)/ePoE
Dual Power Backup	When the power adapter and PoE provide power at the same time, disconnect one of them. The device will continue to work, but will not restart.
Power Consumption	Basic: 3.6 W (12 VDC), 4.3 W (24 VAC), 5.4 W (PoE) Max. (H.265+ WDR+ Intelligence on+IR on): 9.3 W (12 VDC), 11 W (24 VAC), 11.7 W (PoE)
Storage Humidity	10%–95% (RH), non-condensing
Video Metadata	Motor vehicle, non-motor vehicle, face, human body detection, track, snapshot, snapshot optimization, optimal face snapshot upload. Motor vehicle attributes: vehicle type, vehicle color, vehicle logo and other attributes : seat-belt, smoking, calling. Non-motor vehicle attributes: type, color, number of people, top type and color, hat. Human body attributes: gender, top/bottom type and color, bag, hat and umbrella. Face attributes: gender, age, expressions, glasses, face mask and beard.

Feature	Specification
Weatherproof Standard	IP67
People Counting	Tripwire people counting, generating and exporting report (day/week/month/year); people counting in area and queue management, generating and exporting report (day/week/month); 4 rules can be set for tripwire, people counting in area and queue management.
Storage Temperature	-40°C to +60°C (-40°F to +140°F)
Face Detection	Face detection; track; snapshot; snapshot optimization; optimal face snapshot upload; face enhancement; face exposure; face attributes extraction including 6 attributes and 8 expressions; face snapshot set as face, one-inch photo or custom; snapshot strategies (real-time snapshot, quality priority and optimization snapshot); face angle filter; optimization time setting
Dimension	159.1mm × 118.1mm
Iris Control	Auto
Casing	Metal
Weight	0.91 kg

**Dimensions (mm/inch)**



**Company Name:**

CP PLUS (Aditya Infotech Ltd.)  
F-28 Okhla Industrial Area, Phase 1,  
New Delhi 110020, INDIA

**Contact Mail ID :-** [customercare@cpplusworld.com](mailto:customercare@cpplusworld.com)

