

CP-UNC-WC41L3C-VMDS-V2

4MP WDR Network IR Wedge Camera - 30Mtr.

- 1/3" 4Megapixel PS CMOS Image Sensor (0.84667cm)
- Max. 4MP(2688×1520)@25/30fps
- AI Instastream, Instastream, H.265 and H.264+ triple-stream encoding
- WDR(120dB), Day/Night (ICR), 3D-NR, ROI, AWB, AGC, BLC, HLC
- 3.6mm Lens (2.1mm, 2.8mm, 6mm Optional)
- IR Range of 30 Mtrs, IP67, IK10, Micro SD Card, PoE
- Support Built-in Mic, SMD 4.0
- Support Starlight Technology
- Mobile Software: iCMOB, gCMOB
- CMS Software: KVMS Pro



System Overview

This Series has gathered a lot of fame over the years for its eminent capabilities on top of its artful appearance which lets it mix in any background. This series entails a wide range of easily-mountable solutions that have been crafted with the IR Megapixel technology that delivers resolutions varying from 2MP to 8MP depending on your choice of products. This Series comes with a varifocal lens/motorized/fixed lens and is absolutely pocket-friendly, which makes it the best choice for a number of small and mid-size places.

Functions

Starlight Technology

This camera is widely used to provide sharper and clearer picture quality with the help of its exceptional starlight sensitivity as the camera improves night vision in low light conditions. This technology is useful in conditions with extremely low light as the starlight technology turns almost completely dark images into those of clear colors.



CP-UNC-WC41L3C-VMDS-V2

4MP WDR Network IR Wedge Camera - 30Mtr.

Functions

Wide Dynamic Range (WDR)

When a scene is partly dark and partly bright, that is the dynamic range that distorts images due to this difference in the lighting. WDR technology provides you balanced lighting for a clear and vivid image throughout the day. WDR technology can be installed at entry/exit points of any building structure, jewellery shops, outdoor location among so many other places.

Smart Analytical Support

Using an advanced algorithm, smart analytical technology lets you set a multitude of safety parameters and sends you alerts when any of those parameters have been compromised. Not just when there's an occurrence of tripwire or intrusion.

Live Viewing

Unlike some, this technology enables you to record the picture feed but view it live as well at your convenience. On top of that, the advantages of high-resolution video recording are numerous.

True Day/Night (ICR)

When the scene is too dark, the image is captured by illuminating an infrared light through the camera onto the scene that greatly helps with making the scene visible for the lens. It delivers color images during the day and automatically switches to the monochrome feature as the scene darkens.

Regions of Interest

Regions of Interest (ROI) is a user defined feature that allows the operator to monitor specific areas of a scene while still maintaining overall situational awareness of less important areas.

gCMOB/ iCMOB

Designed to allow users to access and control live streaming from CP PLUS IP Cameras, DVRs/ NVRs and Video Door Phones, the CP PLUS gCMOB/ iCMOB application offers a host of features such as Easy GUI, up to 16 live viewing split-ups; InstaOn cloud support; Playback; digital zoom ins; two-way talk, and more.

About CP PLUS

The brand that is on its way to lead the world when it comes to the security and surveillance industry, CP PLUS, keeps bombarding the market with the most reliable range of products that have been designed carefully and methodically to automate the whole surveillance and security process, no matter how big your premises are.

It was the initiative to help the public in the area where they are the most vulnerable and to empower the sense of safety in our hearts that had conceptualized CP PLUS. And embarking on its mission to make the world a safer and more secure place has taken the brand's journey to unprecedented levels even when compared to international competitors.



CP-UNC-WC41L3C-VMDS-V2

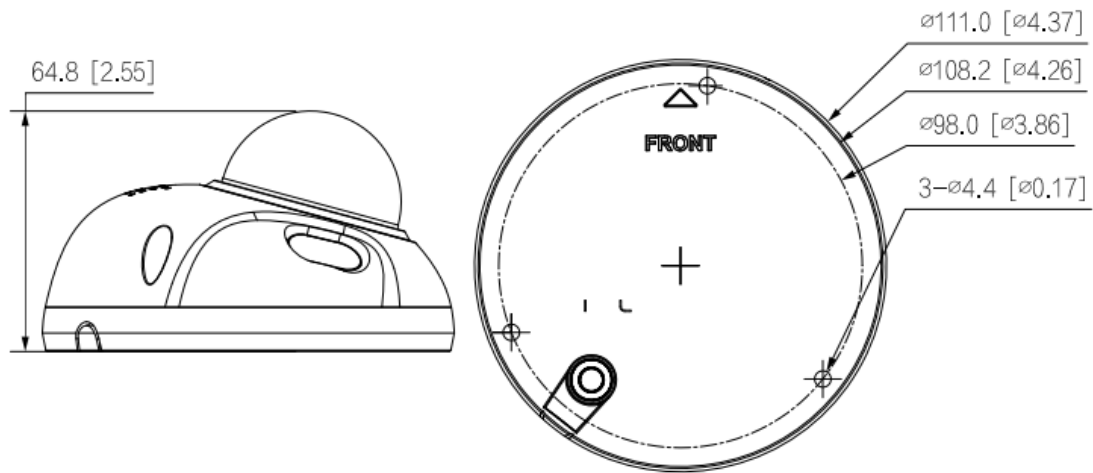
4MP WDR Network IR Wedge Camera - 30Mtr.

Feature	Specification
Image Sensor	1/3" 4Megapixel PS CMOS Image Sensor (0.84667cm)
Minimum Illumination	0.005 lux@F1.4 (Color, 30 IRE) 0.0005 lux@F1.4 (B/W, 30 IRE) 0.01 lux@F2.0 (Color, 30 IRE) 0.001 lux@F2.0 (B/W, 30 IRE) 0 lux (IR on)
Effective Pixels	2688 (H) ×1520 (V)
Shutter Speed	Auto/Manual, 1/3~1/100000s
S/N Ratio	>56dB
ROM & RAM	128MB & 512MB
White Balance	Auto; natural; street lamp; outdoor; manual; regional custom
DORI Distance	3.6mm- 85.4 m (Detect) 34.2 m (Observe) 17.1 m (Recognize) 8.5 m (Identify) 2.1mm- 52.0 m (Detect) 20.8 m (Observe) 10.4 m (Recognize) 5.2 m (Identify) 2.8mm- 63.6 m (Detect) 25.4 m (Observe) 12.7 m (Recognize) 6.4 m (Identify) 6mm- 124.0 m (Detect) 49.6 m (Observe) 24.8 m (Recognize) 12.4 m (Identify)
Close Focus Distance	2.1mm: 0.5 m; 2.8mm: 0.9 m; 3.6mm: 1.6 m ; 6mm: 3.2 m
Mount Type	M12
Lens	3.6mm (2.1mm, 2.8mm, 6mm optional)
Iris Control	Fixed
Max. Aperture	2.1 mm: F2.0; 2.8 mm; 3.6 mm; 6 mm: F1.4
Lens Type	Fixed focal
Gain Control (AGC)	Auto
Video Compression	H.265; H.264; H.264H; H.264B; MJPEG (only supported by the sub stream)
Encode Strategy	AI Instastream, Instastream
Back Light Compensation	BLC / HLC / WDR(120dB)
Angle of View	2.1mm: Horizontal: 137°; vertical: 70°; diagonal: 142° 2.8mm: Horizontal: 102°; vertical: 54°; diagonal: 121° 3.6mm: Horizontal: 84°; vertical: 42°; diagonal: 101° 6mm: Horizontal: 52°; vertical: 28° ; diagonal: 61°

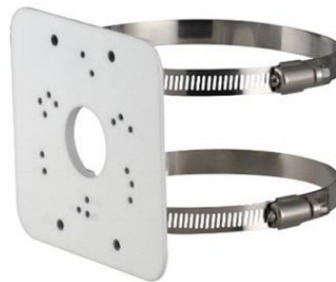
Feature	Specification
Video Streaming	Main stream: 2688 × 1520 @ (1–25/30) fps Sub stream 1: 704 × 576 @ (1–25 fps)/704 × 480 @ (1–30 fps) Sub stream 2: 1920 × 1080 @ (1–25/30) fps *The values above are the max. frame rates of each stream; for multiple streams, the values will be subjected to the total encoding capacity
Resolution	4M (2688 × 1520); 3.6M (2560 × 1440); 3M (2048×1536); 3M (2304×1296); 1080p (1920 × 1080); 1.3M(1280 × 960); 720p (1280 × 720); D1 (704 × 576/704×480); CIF (352 × 288/352 × 240); VGA (640 × 480)
Motion detection	OFF/ON (4 areas, rectangular)
Privacy Mask	4 areas
ICR	Auto (ICR)/Color/B/W
ROI	Support (4 areas)
Mirror	Support
Audio Input	1 channel (RCA port)
Audio Output	1 channel (RCA port)
Audio Compression	G.711a; G.711Mu; PCM; G.726; G.723
Audio	Built-in Mic
Alarm Input	1 channel in: 5 mA 3–5 VDC
Alarm Output	1 channel out: 300 mA 12 VDC
Bit Rate	H.264: 3 kbps–8192 kbps; H.265: 3 kbps–8192 kbps
Protocol	IPv4; IPv6; HTTP;TCP; UDP; ARP; RTP; RTSP; RTCP; RTMP; SMTP; FTP; SFTP; DHCP; DNS; DDNS; QoS; UPnP; NTP; Multicast; ICMP; IGMP; NFS; SAMBA; PPPoE; SNMP; ONVIF (Profile S/Profile G/Profile T); CGI; InstaOn cloud; Milestone; Genetec
IVS (Perimeter Protection)	Tripwire, intrusion (support the classification and accurate detection of vehicle and human)
Intelligent Search	Work together with Smart NVR to perform refine intelligent search, event extraction and merging to event videos
AI SSA	Support
Quick Pick	With AI NVR, quickly pick up the human/vehicle targets that users are interested in from SMD events
SDK and API	Support

Feature	Specification
Cyber Security	Video encryption; Firmware encryption; Configuration encryption; Digest; WSSE; Account lock-out; Security logs; IP/MAC filtering; Generation and importing of X.509 certification; syslog; HTTPS; 802.1x; Trusted boot; Trusted execution; Trusted upgrade
Alarm Event	No SD card; SD card full; SD card error; service life warning (only supported by CP Plus card); network disconnection; IP conflict; illegal access; motion detection; video tampering; intrusion; tripwire; scene changing; audio detection; voltage detection; external alarm; SMD; safety exception
Ethernet	RJ-45 (10/100Base-T)
User Account	20 (Total bandwidth: 64 MB)
Smart Phone	iPhone, iPad, Android Phone
IR	IR Range of 30 Mtr., Smart IR
No. of IR LEDs	2 (IR LED)
Micro SD Card	Micro SD card 256GB
Storage	FTP; SFTP; NAS
Scene Self-adaptation	Support
Browser	IE: IE11 Chrome Firefox
Operating Temperature	-40 °C to +60 °C (-40 °F to 140 °F) /Less than 95% RH
Storage Temperature	-40 °C to +60 °C (-40 °F to 140 °F)
Power Source	12 VDC/PoE (802.3af)
Power Consumption	Basic: 3.8 W (12 VDC); 4.6 W (PoE) Max. (WDR + IR intensity + Intelligence): 5.9 W (12 VDC); 7.2 W (PoE)
Weatherproof Standard	IP67; IK10
Dimension	64.8 mm × Φ111.0 mm (2.55" × Φ4.37")
Casing	Metal
Weight	423g

Dimensions (mm/inch)



Accessories : Optional



CP-UA-B2P
Pole Mount

Company Name:

CP PLUS (Aditya Infotech Ltd.)
F-28 Okhla Industrial Area, Phase 1,
New Delhi - 110020, INDIA

Contact Mail ID :- customercare@cpplusworld.com